

# AIS VISION PRO

High performance AIS class A transponder



The AIS VISION PRO is the world's most advanced commercial grade AIS Class A transceiver – SOLAS and Inland Waterway certified – with enhanced functionality. The AIS VISION PRO is ideal for commercial vessels requiring high performance, reliable AIS with enhanced functionality.

Fully integrated within a single housing the AIS VISION PRO is IPx7 & IPx6 water and weather proof and can be permanently installed and operated externally or in exposed areas. The physical button and dial user interface ensures reliable and consistent operation in all conditions using wet hands or gloves.

The large high-definition colour display supports a significant array of standard and advanced AIS functionality including a basic chart display with AIS tar-

get overlay, critical navigation alerts, target filters and watch lists, alerts and alarms, text messaging, real-time weather data, MOB & SART tracking and much more.

The AIS VISION PRO delivers high performance, processing AIS transmissions in real time even in the busiest areas thanks to the integrated HF-AIS core technology. Built-in flexible connectivity that includes NMEA0183, NMEA2000 and WiFi means the AIS VISION PRO seamlessly connects to bridge and display systems.

The AIS VISION PRO is engineered and built for demanding users who rely on their AIS Class A day after day for their safety, security and operational efficiency.

## KEY FEATURES

- Fully certified (SOLAS & CCNR-VTT)
- Water and weather proof (IP66 & IP67)
- Integrated high-resolution colour display
- Built-in basic world chart (accepts C-MAP charts on Micro SD card)
- Integrated long range WiFi connectivity

# TECHNICAL SPECIFICATIONS

## Physical

W x H x D: 152 x 165 x 111 (mm)  
Weight: 1,5 kg

## Environmental

Operating temperature range: -15°C to +55°C  
Maximum operating humidity: 90% at +40°C, non-condensing  
Water ingress rating: IPx6, IPx7

## Electrical

Supply voltage: 12VDC to 24VDC  
Power consumption: transmit 72W  
receive 11W

## Display and user interface

Display: 800 x 480 pixel colour LCD with adjustable backlight  
Recommended viewing distance: 45cm  
Keypad: Five function keys and three menu keys with adjustable backlight  
Rotary control: Encoder with push function

## WiFi

IEEE 802.11g/n  
IEEE 802.11b

## Data interface ports

### Sensor data input

Number of ports: 3; IEC61162-1 / -2  
Baud rate: 4800 baud or 38400 baud

### Bi-directional data (including pilot)

Number of ports: 3; IEC61162-1 / -2  
Baud rate: 4800 or 38400 baud

### Differential correction

Number of ports: 1; IEC61162-1 / -2  
ITU 823-2 / RTCM SC-104  
Baud rate: 4800 baud or 38400 baud

### Blue Sign

Switch input: Active high (2-30 V)

### Silent Mode

Switch input: Active high (2-30 V)

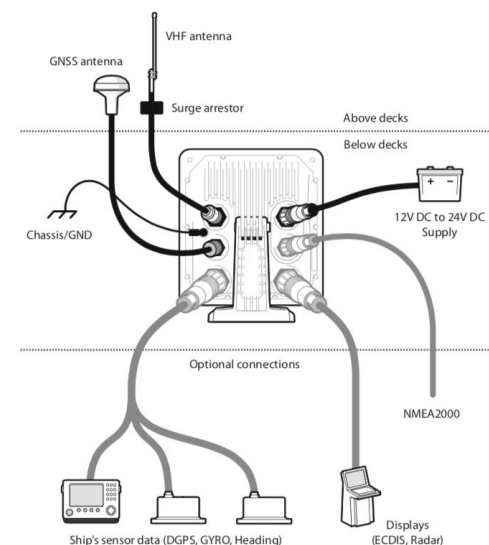
### NMEA 2000

Load equivalency number (LEN): 1

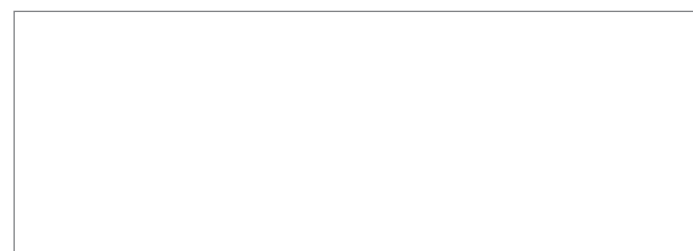
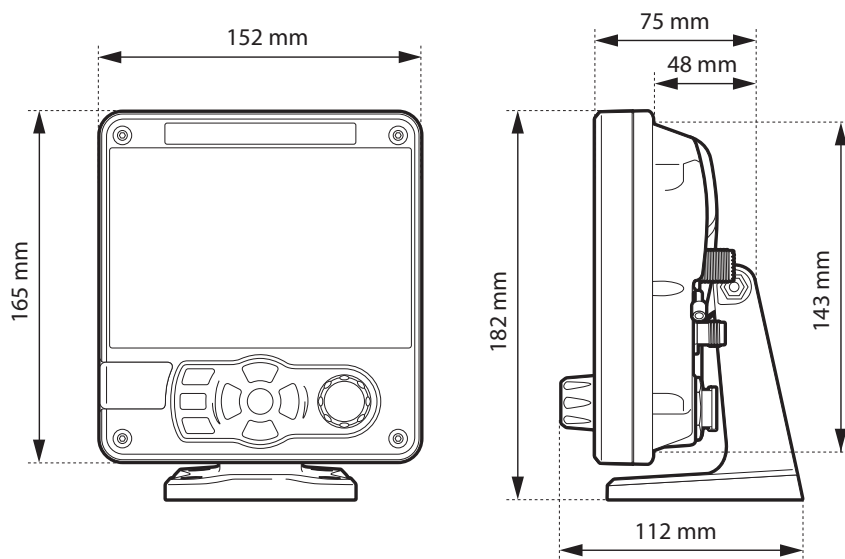
### USB

PC/MAC connection

## Typical AIS transceiver connection



## Dimensions



True Heading Dealer

This document is True Heading AB copyright. The True Heading policy is that of continuous research and development and is reserved to alter specification without prior notice.

True Heading AB tel: +46 08 622 26 60 email: info@trueheading.se www.trueheading.se



2019-11-06